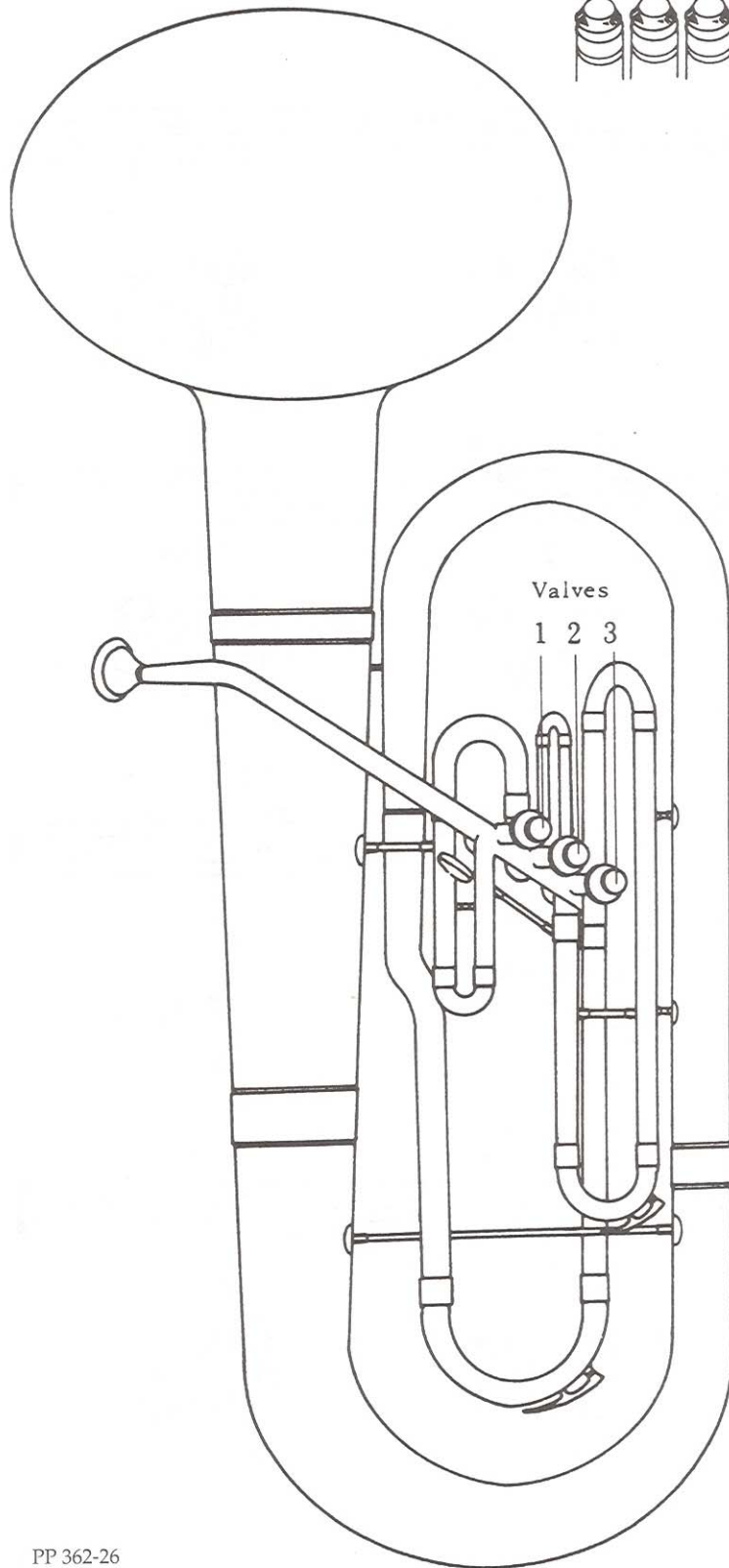
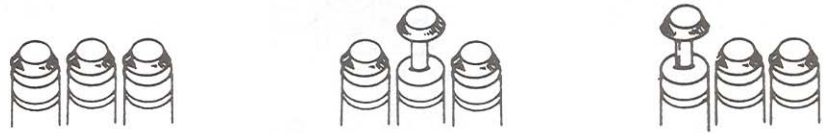


BARITONE HORN (Bass Clef)

How to read the chart: Numbers indicate valve(s) to be pressed.



E	F	F# - Gb
1 - 2 - 3	1 - 3	2 - 3



G	G# - Ab
1 - 2	1



A	A# - B
2	OPEN



B - Cb	C
1 - 2 - 3	1 - 3



C# - D	D
2 - 3	1 - 2



D# - Eb E F F# - Gb

1 2 OPEN 2-3



G G# - Ab A A# - Bb

1-2 1 2 OPEN



B - Cb C C# - Db D

1-2 1 2 OPEN



D# - Eb E F F# - Gb

1 2 OPEN 2-3



G G# - Ab A A# - Bb

1-2 1 2 OPEN

